



MARC Beacon

Volume 7, Issue 9

The Morongo Basin Amateur Radio Club Newsletter

SEPTEMBER 2018

President's Message

Hello everybody.

This is going to be a short note this month.

We had our August meeting on the 4th Thursday (8-23-18, 7:00 pm) at Apache Mobile Park clubhouse in Yucca Valley.

The main event of the evening was an auction to help **John Campbell (AG6QM)** sell some of his radio gear.

We had a very good turn out with several visitors and we did much better than anticipated on the auction. We're still counting the cash and will be able to present a check to John in the next couple of weeks.

Thanks to everyone who could participate in the auction. You really showed that hams can pull together and get the job done when there is a need.

Speaking of meetings, our September MARC meeting will be on Thursday September 20th at 7:00 pm and "yes" we'll be able to be "back home" at St. Christopher of the Desert Catholic Church. We've been meeting at Apache Mobile Park in Yucca Valley for the past 3 months.

Just in case some of our new members may not know, the Church address is:

**St. Christopher of the Desert Catholic Church
61261 Sunburst Dr.
Joshua Tree, CA 92252**

I hope everybody had a good Summer and hope to see you all at our September meeting.

73'S

Andy Frees

NS6V

Yucca Valley

760-369-7388

ai6af@apachepark.org



Borges Associates

Tax Consulting / Preparation Service
57836 Campanula St.
Yucca Valley, Ca. 92284
(760) 365-2652

*Bonded and CTEC Registered Tax Preparer
Personal and Corporate returns
All year service available*

Practice since 1989

Linked Repeaters

Yucca Valley, W6BA

146.790 MHz (- shift = 146.190 MHz) 136.5 Hz PL/CTCSS

Twentynine Palms, W6BA

147.060 MHz (+ shift = 147.660 MHz) 136.5 Hz PL/CTCSS

Landers, WB6CDF

447.580 MHz (- shift = 442.580 MHz) 173.8 Hz PL/CTCSS

Nets

Amateur Radio Emergency Service (ARES)
Mon @ 1915
Morongo Basin Amateur Radio Club (MARC)
Tue @ 1900

Social Media,

Club web page: <http://www.w6ba.net>

Facebook:

<https://www.facebook.com/MorongoBasinAmateurRadioClub>

W6BA Live Feed:

<http://www.broadcastify.com/listen/feed/10199/web>

Club Meeting

Every 3rd Thursday of the month at 7 PM.
St. Christopher of the Desert Catholic Church
61261 Sunburst Dr., Joshua Tree, CA



MARC Beacon

The Morongo Basin Amateur Radio Club Newsletter

I WANT TO ASK WHO ALL WOULD BE INTERESTED IN A T-HUNT ?

I am putting the feelers out to see who all would be interested in joining in on a BBQ/TRANSMITTER HUNT? I have had a few ask about if we have done any and I know that we have in the past at special events and field day, but they were far and few between. So if you are interested in one being planned.

PLEASE let me know at my email N6GKB@LIVE.COM, and we will keep you posted of the T-HUNT event I have never done one but I do believe it would be fun to learn and get involved!

So please think about it and even just come and see what its all about.

If your interested in the antenna that is used in finding the transmitter here are the plans on this link:

<https://www.instructables.com/id/Radio-Direction-Finding-Antenna-for-VHF/>



TOM MEDLIN W5KUB WEEKLY WEBCAST 100% HAM RELATED. TUESDAY NIGHTS AT 8PM
<http://tmedlin.com/> OR <http://w5kub.com>



HAMNATION IS A WEEKLY HAM RADIO RELATED TV SHOW WITH FAMOUS HOSTS SOME OF YOU MAY KNOW LIKE, GORDON WEST, BOB HEIL AND OTHERS. WEDNESDAY NIGHTS AT 6PM
<https://twit.tv/shows/ham-nation>



RADIO PROGRAMMING :

Anyone needing programming help with any of your mobiles or HT's, I would be glad to help you. I know programming can sometimes be crazy. So many programs and cables and all radios are not programmed the same way. So contact me and see if I can help you.

Programs are available, if you have your own cables and wish to do your own programming.

They are available at:

<https://www.rtsystemsinc.com/> and <https://chirp.danplanet.com/projects/chirp/wiki/Home>

**Keith Board, N6GKB,
760-401-5124, N6GKB@live.com**

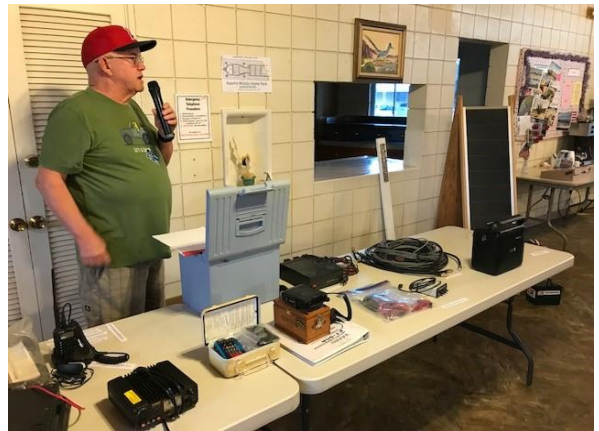


MARC Beacon

The Morongo Basin Amateur Radio Club Newsletter

Going...
Going...
Gone!

We had a great auction to help John Campbell (AG6QM) sell some of his radio gear, antennas and all kinds of awesome stuff. He got all his items **SOLD** and even the club made some money from it. It was a great turn out and some **REAL GREAT DEALS** were made some high-end radio gear! Everyone had fun and quite a few made out and went home with their arms full of nice awesome equipment for their ham shacks. Glenn Miller did a great job as our Auctioneer.





MARC Beacon

The Morongo Basin Amateur Radio Club Newsletter

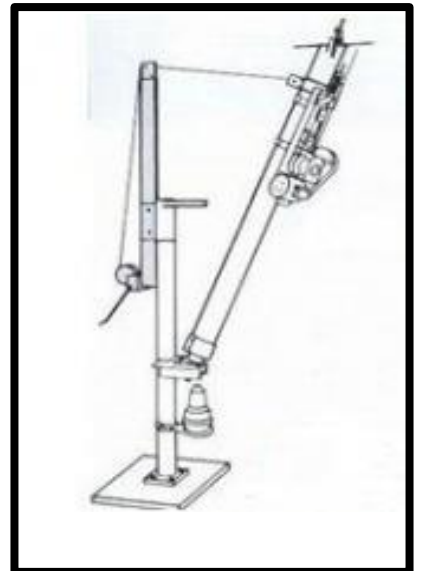
ROHN "TYPE" 60" High Tower, COMES IN (6) 10' SECTIONS. (BEST OFFER)



22' FOOT Marine Vertical fiberglass antenna, For use with a Tuner and Ground plane.



The MAF-40 TEXAS Tubular Tower at a maximum extended height of 40'. Its minimum nested height is 21'6" and the tower weighs 242 lbs. This tower consists of 2 sections, the top one being a 3" square tube and the bottom being a 4 1/2" OD tube. Comes with base, rotator motor remote directional control. **4 BAND Horizontal beam** for 20 -10 – 15 Meters. **And comes with on top a 2m / 440mhz vertical antenna.** ALSO Included is a WEATHER STATION! (Tower alone is worth \$1300)





MARC Beacon

The Morongo Basin Amateur Radio Club Newsletter

AMERITRON AL-82 1500 watt linear AMP

Dual 3-500Z Linear Amplifier, output ON 160 thru 10 meter band

240v 50/60Hz Power main.

- SPECS:** Frequency coverage: 1.8, 3.5, 7, 14, 21 MHz and WARC bands.
Input Circuit: Adjustable pi-network, VSWR 1.2:1 or less at resonance.
Output circuit: Pi-L/Pi network. Input Bandwidth: 20% for 2:1 VSWR or better.
Efficiency: CW/SSB nearly 70% Operating Weight: 76lb.
Dimensions: 18 1/2"D x 17"W x 10"H Power Requirement: 240 VAC 50/60 Hz 15 Amperes.
High Voltage: 3300 V full load, 3600 V no load. (Retail \$2900, going for online \$1500)



(stock photo above)

Big Sale



MARC Beacon

The Morongo Basin Amateur Radio Club Newsletter



The ShakeOut Drill is scheduled for 10:18 a.m. on October 18, 2018. This means that wherever you are at that moment—at home, at work, at school, anywhere—you should Drop, Cover, and Hold On as if there were a major earthquake occurring at that very moment, and stay in this position for at least 60 seconds.

There will not be any freeway closures, power outages, or other simulated effects of the hypothetical earthquake, unless your local government or utility company specifically notifies you about something of this nature. The ShakeOut is not something you need to leave work to participate in—in fact, participating at work is encouraged! Businesses, organizations, schools, and government agencies can register and have their employees practice Drop, Cover, and Hold On or have a more extensive emergency drill.

The main goal of the ShakeOut is to get Californians prepared for major earthquakes, so use the ShakeOut as an opportunity to learn what to do before, during, and after an earthquake.

Visit www.earthquakecountry.org/sevensteps for tips on how to prepare, protect, and recover.

Anyone in California can participate, from a single individual at their home to a major company at the office. Talk to your coworkers, neighbors and friends about the ShakeOut and encourage their participation.

Sign up for free at:
www.shakeout.org/california/register to be counted in the ShakeOut Drill, get email updates, and more.

THE LANDERS EARTHQUAKE 1992

At 4:57 a.m. local time (11:57 [UTC](#)) on June 28, 1992, a [magnitude 7.3](#) earthquake awoke much of Southern California. Though it turned out it was not the so-called "Big One" as many people would think, it was still a very strong earthquake. **The shaking lasted for two to three minutes.** Although this earthquake was much more powerful than the [1994 Northridge earthquake](#), the damage and loss of life were minimized by its location in the sparsely-populated [Mojave Desert](#).



A friendly reminder of OUR Landers Quake of 1992 I was here and I remember it well!

The above picture of the (now missing) east side wall of the yucca valley bowling alley as well as other damage to the interior .



Old woman springs road/Hwy 247 took a hit on many places like this, as well as the epicenter at Aberdeen just east of Hwy 247.



MARC Beacon

The Morongo Basin Amateur Radio Club Newsletter

Brief update about the talking on a mobile laws:

Just got this off the PAPA Repeater System Website.

I enlarged and underlined the part applying to Ham Radio.

NOTE!!!! If push came to shove, a HT Radio held in your hand does not qualify for the exemption, Technically my setup of an HT Radio between the seats with a Handheld Speaker Mic does not qualify either, AND!!!! If you are talking on Ham Radio and involved in an accident, existing Distracted Driving Laws do apply.

John – KI6FKP

Enforcement of Section 23123.5 of the California Vehicle Code [Hands Free Law]

Enforcement of Section 23123.5 of the California Vehicle Code

Effective January 1, 2017, Section 23123.5 of the California Vehicle Code (CVC) was amended by Assembly Bill 1785, which substantially expanded the scope of Section 23123.5 CVC, from simply prohibiting the use of a wireless phone to text while driving, to prohibiting holding and operating a handheld wireless telephone or an electronic wireless communications device while driving.

However, a driver may still use a handheld wireless telephone or an electronic wireless communication device while driving when:

The handheld wireless communication device is mounted to a windshield (in compliance with Section 26708[b] CVC), dashboard, or center console in a manner which does not interfere with the driver's view of the road, and; The drivers hand is used to activate or deactivate a feature with a single tap or swipe of the drivers finger.

Pursuant to Section 23123.5(f) CVC, the definition of an electronic wireless communications device includes, but is not limited to: a broadband personal communication device, a specialized mobile radio device, a handheld device or laptop computer with mobile data access, a pager, or a two-way messaging device.

Section 23123.5 CVC does not apply to manufacturer-installed systems which are embedded in the vehicle, nor does it apply to an emergency services professional using a wireless telephone while operating an authorized Emergency vehicle, in the course and scope of employment.

For the purposes of Section 23123.5(f) CVC, a radio installed and mounted in a vehicle with a wired hand microphone (e.g., business band or citizen band [CB]radio) is not considered a wireless communication device, nor is it considered a specialized mobile radio device, and therefore is not subject to enforcement under this section.

Editor Point of Contact (POC)

Keith Board, N6GKB, 760-401-5124, N6GKB@live.com

Submission deadline is 4 days before the 1st of each month





MARC Beacon

The Morongo Basin Amateur Radio Club Newsletter

September 2018

Sunday	Monday	Tuesday	Wednesday	Thursday	Friday	Saturday
						1
2	3	4	5	6	7	8
	ARES Net 7:15 pm LABOR DAY	MARC Net 7:00 pm NCS NICKI OR FRED		ARES Meeting 6:00 pm Good Shepherd Lutheran Church Yucca Valley		
9	10	11	12	13	14	15
	ARES Net 7:15 pm	MARC Net 7:00 pm NCS ANDY PATRIOT DAY				
16	17	18	19	20	21	22
	ARES Net 7:15 pm	MARC Net 7:00 pm NCS MANUEL		MARC Meeting 7:00 pm IT WILL BE BACK IN JOSHUA TREE !		FALL BEGINS
23	24	25	26	27	28	29
	ARES Net 7:15 pm	MARC Net 7:00 pm NCS JOHN				
30						